

## Jaw Crusher

- The crushing cavity of this machine is composed of mobile jaw plate and static jaw plate, imitating the two jaws movement of animals to affect the crushing works.
- The highest compressive strength of crushed materials is 320Mpa.

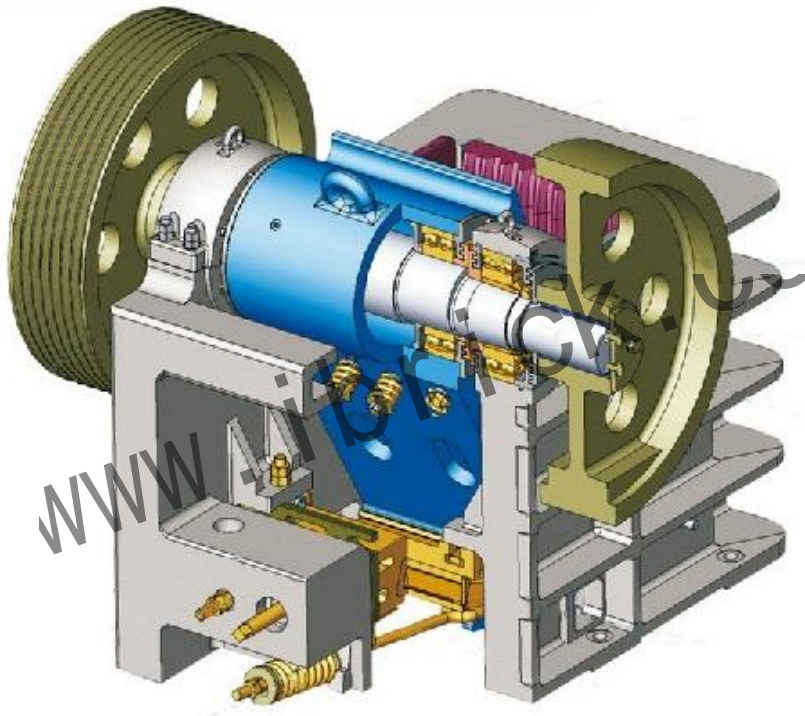


Crushing hard materials



The dam-board at the materials feeding mouth can feed materials uniformly and also can store materials.

**Primary structure:** machine element, jaw plate and side guard plate, driving medium, control apparatus, flywheel and lubricating device.....



Equipment structural map

**Equipment advantages:** deep crushing cavity without dead space, improvement of material input ability and production capacity, big crushing ratio, uniform product grain size, simple structure, reliable work and low operating cost.

**Equipment parameters:**

Model	Production Capacity (t/h)	Size of Feeding Hole (mm)	Equipment Power (KW)	The Max. Size of Input Granules (mm)	Adjustable Range of Discharge Sole (mm)	Dimension (mm)
PE-500×750	45-80	500×750	55	425	50-100	1892*2054*1853
PE-600×900	70-120	600×900	55-75	500	65-160	2520*1840*2303
PE-750×1060	130-260	750×1060	110	630	80-140	2620*2302*3110
PE-900×1200	220-380	900×1200	110	750	95-165	3789*2826*3025
PE-1000×1200	230-380	1000×1200	110	850	195-265	3889*2826*3025
PE-1200×1500	400-800	1200×1500	200	1020	150-300	4200*3750*3820
PEX-300×1300	20-90	300×1300	55-75	250	25-105	1777*2330*1740

IBRICK supply multiple types of crusher suitable for your materials and production capacity, our products apply in Russia, Kazakhstan, Uzbekistan, India, Bangladesh, Egypt, Angola, Mexico, Chile, Peru, Brazil and other countries.

[www.ibrick.cc](http://www.ibrick.cc)

## **Shaanxi Ibrick Technology Co., Ltd**

**Add: Rm-B21811, Fortune Plaza, High-Tech  
3rd Rd, High-Tech Zone, Xi'an, China**

**Tel: 0086-29-63364175**

**Fax: 0086-29-63364165**

**Mob: 0086 15991710216**

**E-mail: [info@ibrick.cc](mailto:info@ibrick.cc)**

[www.ibrick.cc](http://www.ibrick.cc)

[www.ibrick.cc](http://www.ibrick.cc)